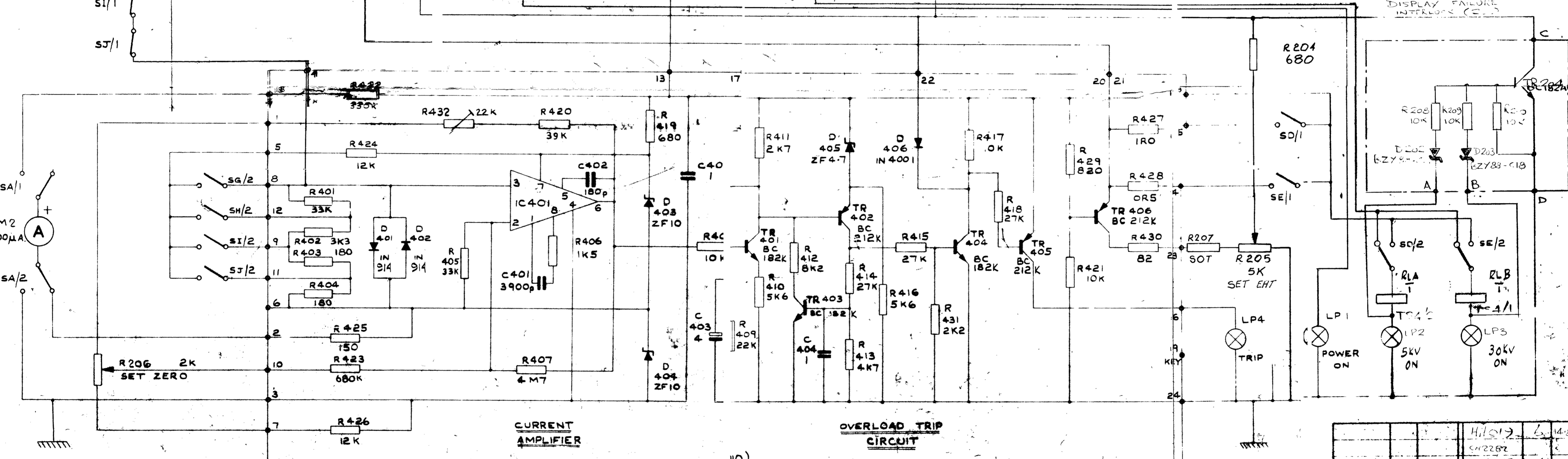
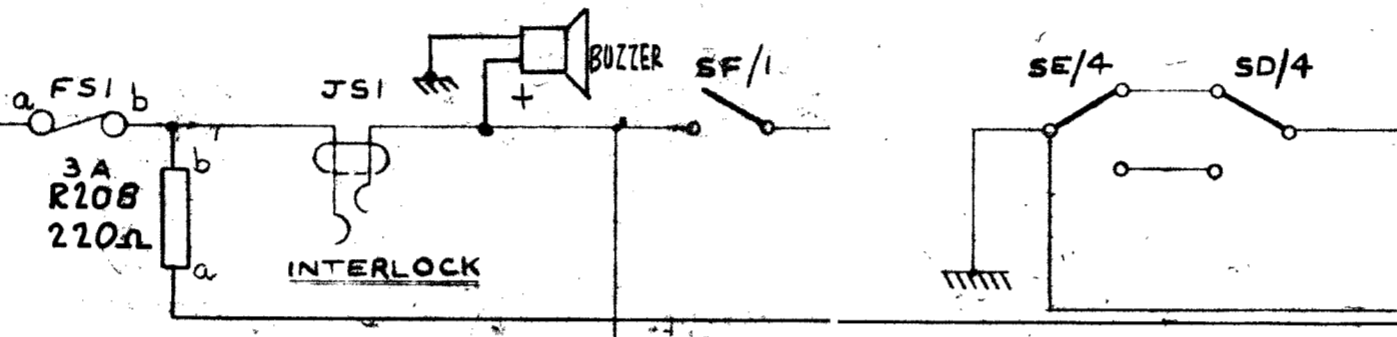
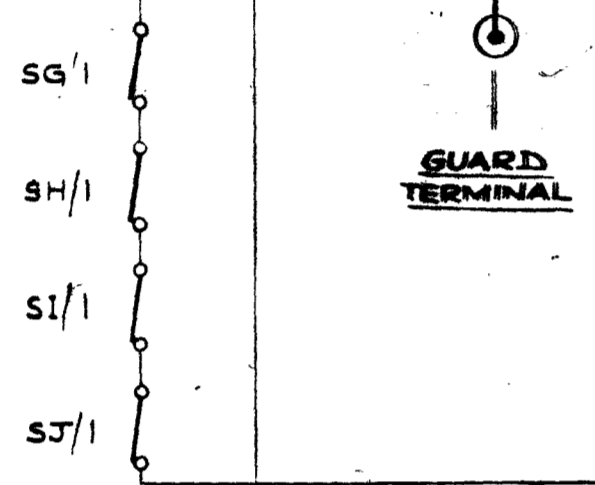
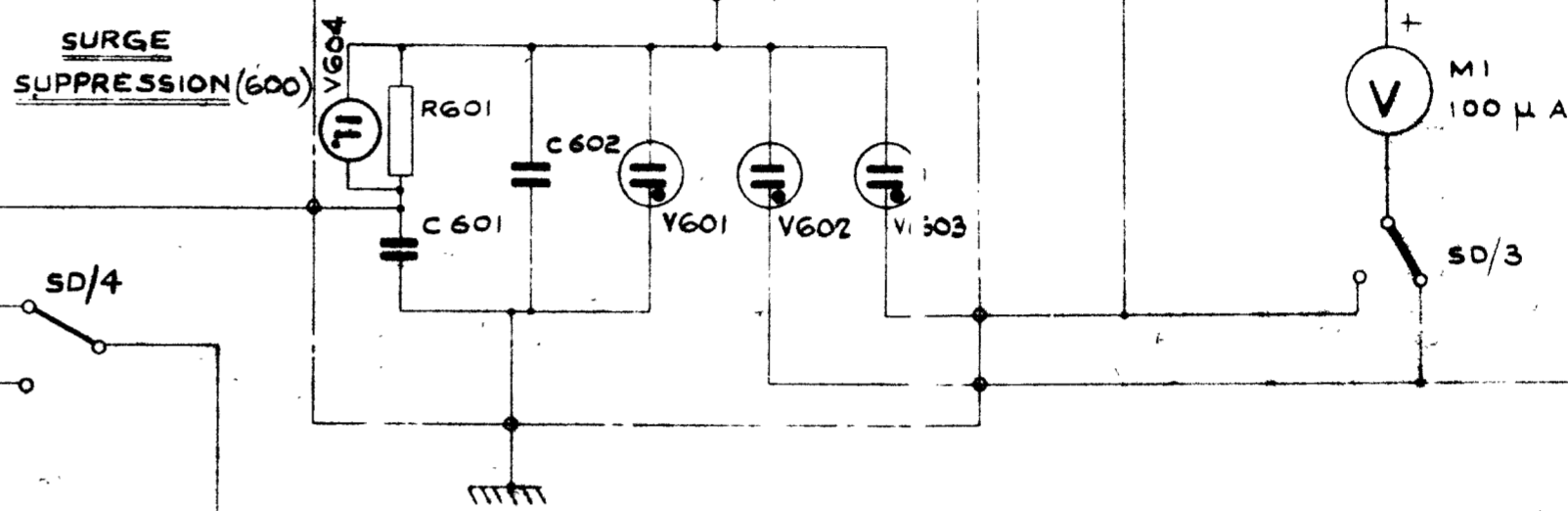
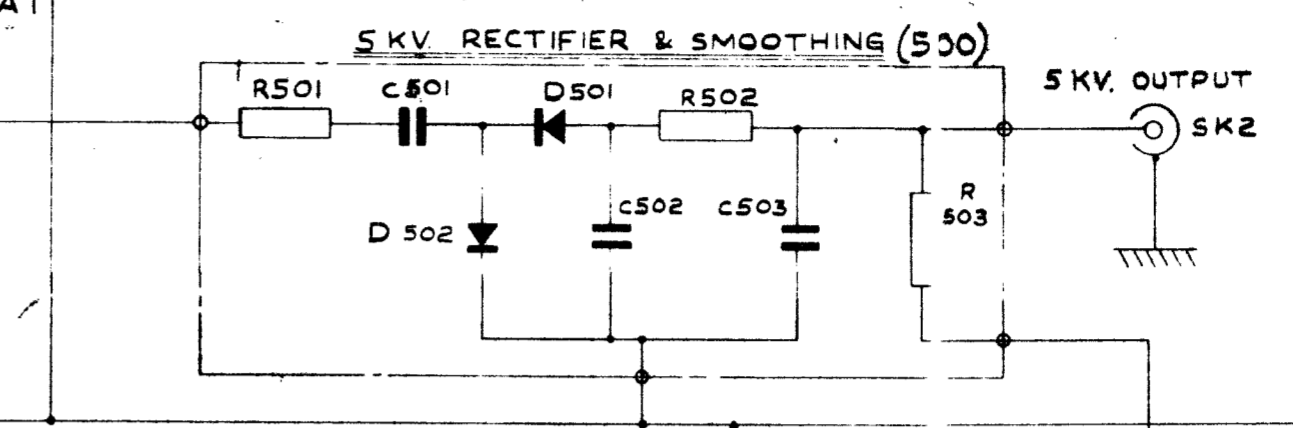
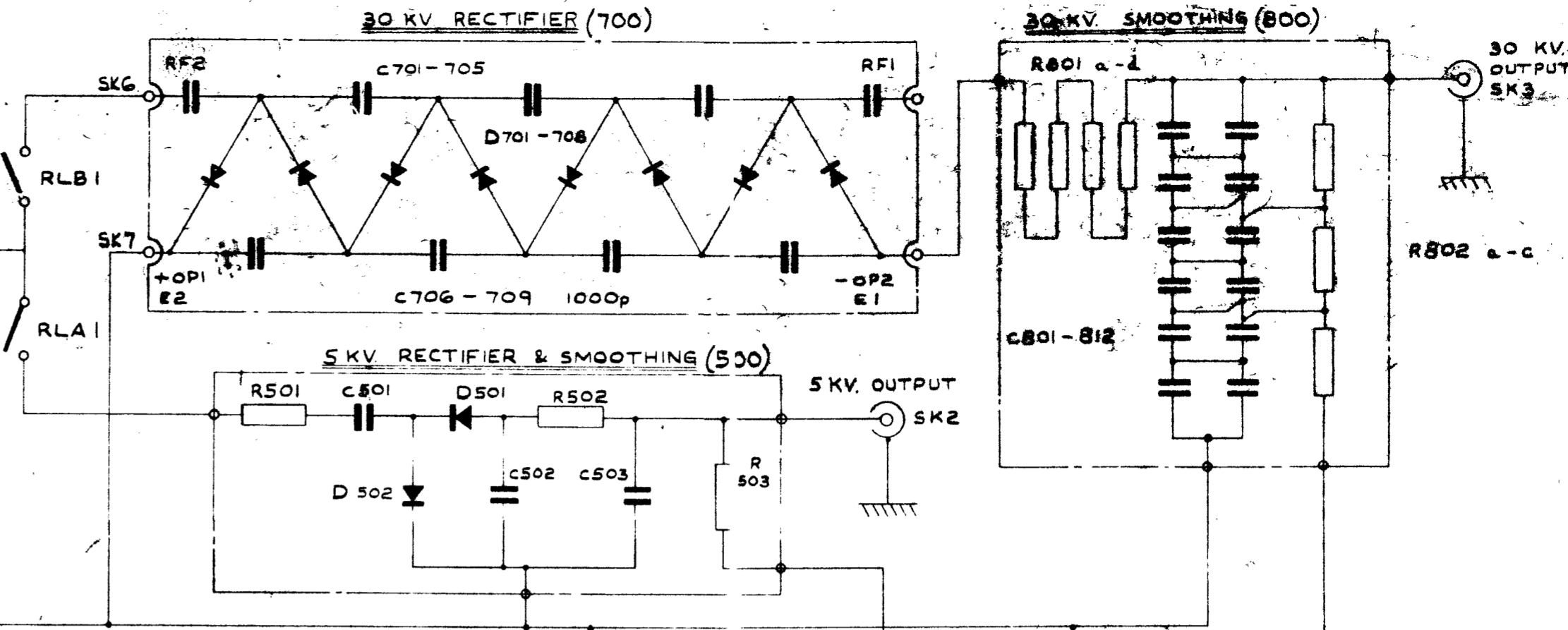
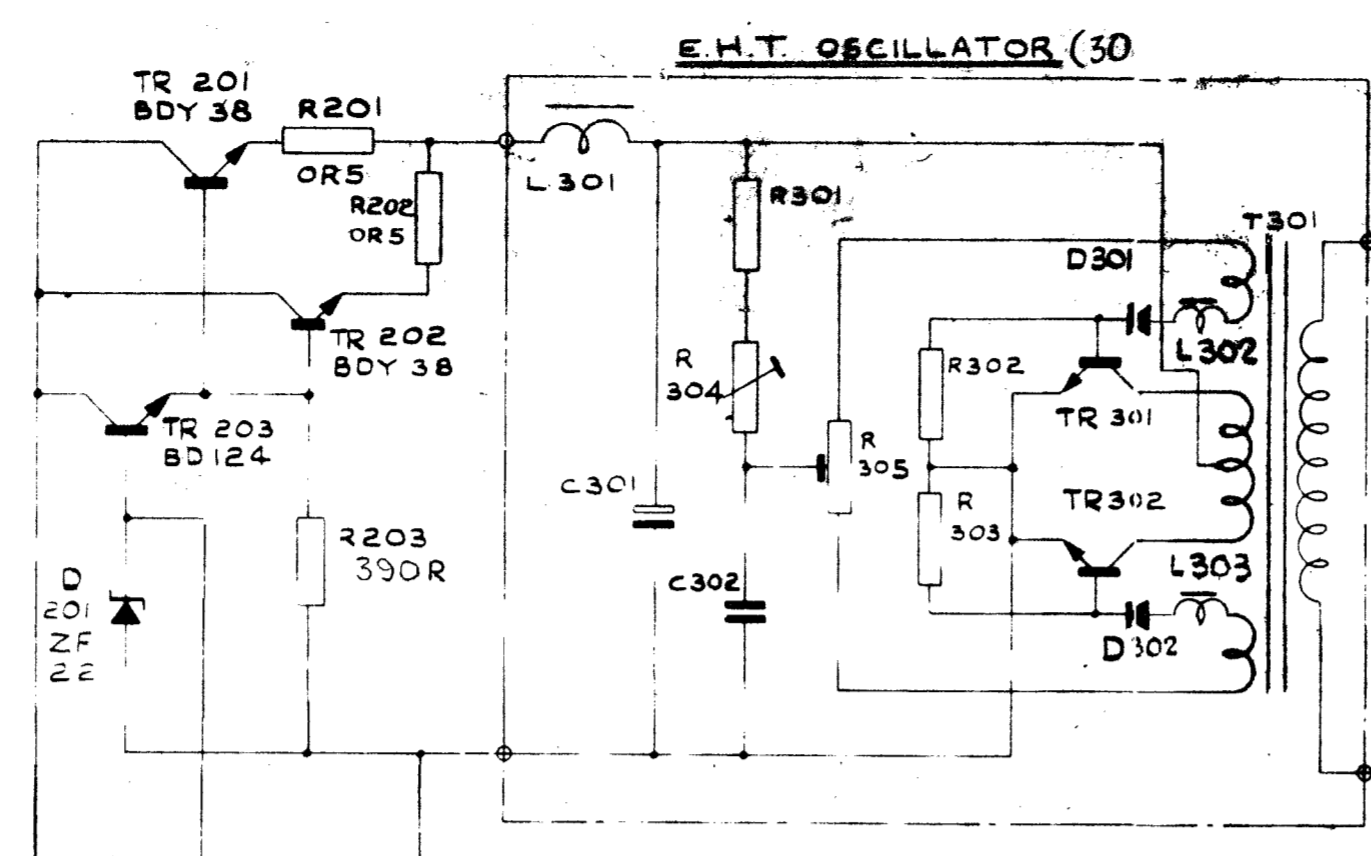
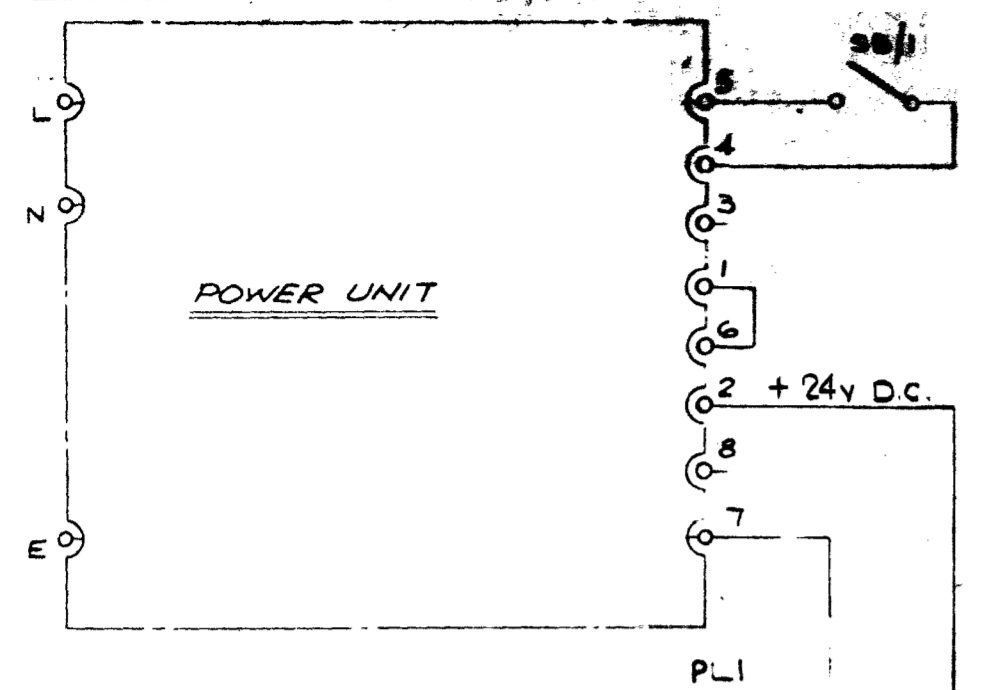


USED ON 14094/1-1

DRAWING NUMBER 110189

THIRD ANGLE PROJECTION

FOR FULL DETAILS OF POWER UNIT SEE C/110180 SHEET 2 FOR MK 1 & MK 2 C/4094/214 FOR MK 3 & MK 4



RESISTANCE IN OHMS AND CAPACITANCE IN uF UNLESS STATED OTHERWISE.

FOR LOOM DRG. SEE C/110181/A

SWITCH KEY SA BATTERY CHECK SB POWER ON SC POWER OFF SD 5KV ON/OFF SE 30KV ON/OFF SF RESET TRIP SG x10 (10A) SH x1 (100A) SI x10 (100uA) SJ x20 (200uA)

Revision table with columns for MOD. No, ISSUE, DATE, MOD. No., ISSUE, DATE. Includes entries for 41012, 44007, 44008, 44009, 44010, 44011, 44012, 44013, 44014, 44015, 44016, 44017, 44018, 44019, 44020, 44021, 44022, 44023, 44024, 44025, 44026, 44027, 44028, 44029, 44030, 44031, 44032, 44033, 44034, 44035, 44036, 44037, 44038, 44039, 44040.

CHECKED TRACED DRAWN MJS

Table with columns: MATERIAL, PROTECTIVE FINISH, TO ANCE, DIMENSIONS IN, SURFACE ROUGHNESS, SCALE.

CONTRACTOR F.G. MILES ENGINEERING LTD. TITLE INSULATION TESTER CIRCUIT DIAGRAM

CONTRACTOR'S DRAWING REF. (HIVOLT) DRAWING NUMBER 110189

THIS DRAWING IS CONFIDENTIAL AND SUPPLIED BY F.G. MILES ENG. LTD FOR INFORMATION ONLY. IT IS NOT TO BE COPIED OR COMMUNICATED TO ANY OTHER PERSON WITHOUT WRITTEN CONSENT OF MILES GROUP OF COMPANIES.

BLANK SIZE (28 x 20)