

ISSUE		DATE	CCT REF	DESCRIPTION	CCT REF	DESCRIPTION
1		8/6/59		RESISTORS - (FIXED)		CAPACITORS
ORIGINAL ISSUE			R 1	100Ω 6w. ± 5% w.w.	C 1	100μF 450 v. WKG
			R 2	270K. 1w. ± 10% } MATCHED PAIR	C 2	100μF 450 v. WKG.
			R 3	270K. 1w. ± 10% } TO ± 2%	C 3	0.1μF 350 v. WKG.
			R 4	100Ω ½w. ± 10%	C 4	0.1μF 350 v. WKG.
			R 5	100Ω ½w. ± 10%	C 5	0.1μF 350 v. WKG.
			R 6	150K. ½w. ± 10%	C 6	32μF 450 v. WKG
			R 7	1K. ½w. ± 10%		
			R 8	1K. ½w. ± 10%		
			R 9	2.2M. ½w. ± 10%		
			R 10	100K. ½w. ± 10%		
			R 11	270K. ¼w. ± 2% H.S.		
R 12	220K. ¼w. ± 2% H.S.		TRANSFORMER.			
R 13	220K. ½w. ± 10%	TR 1.	A.P.T Pt No G 765			
R 14	1M. ¼w. ± 2% H.S.					
R 15	270K. ½w. ± 10%					
R 16	150K. ½w. ± 10%					
R 17	15K. ¼w. ± 2% H.S.					
R 18	56K. 1w. ± 2% H.S.		FUSE			
R 19A	15K. ¼w. ± 2% H.S.	F 1	250mA CARTRIDGE { BELLING LEE L1055/250mA			
R 19B	200K. ½w. ± 10%					
			VALVES			
		V 1	GZ 34 — (CV 1377)			
		V 2	EL 86 — (CV 5094)			
		V 3	EL 86 — (CV 5094)			
	RESISTOR - (VARIABLE)	V 4	ECC 83 — (CV 492)			
	RV 1 5K. ± 10% 1w. w.w. { COLVERN CLR 1106/95.	V 5	ECC 83 — (CV 492)			
		V 6	NT 2. — (CV 2213)			

DRAWN

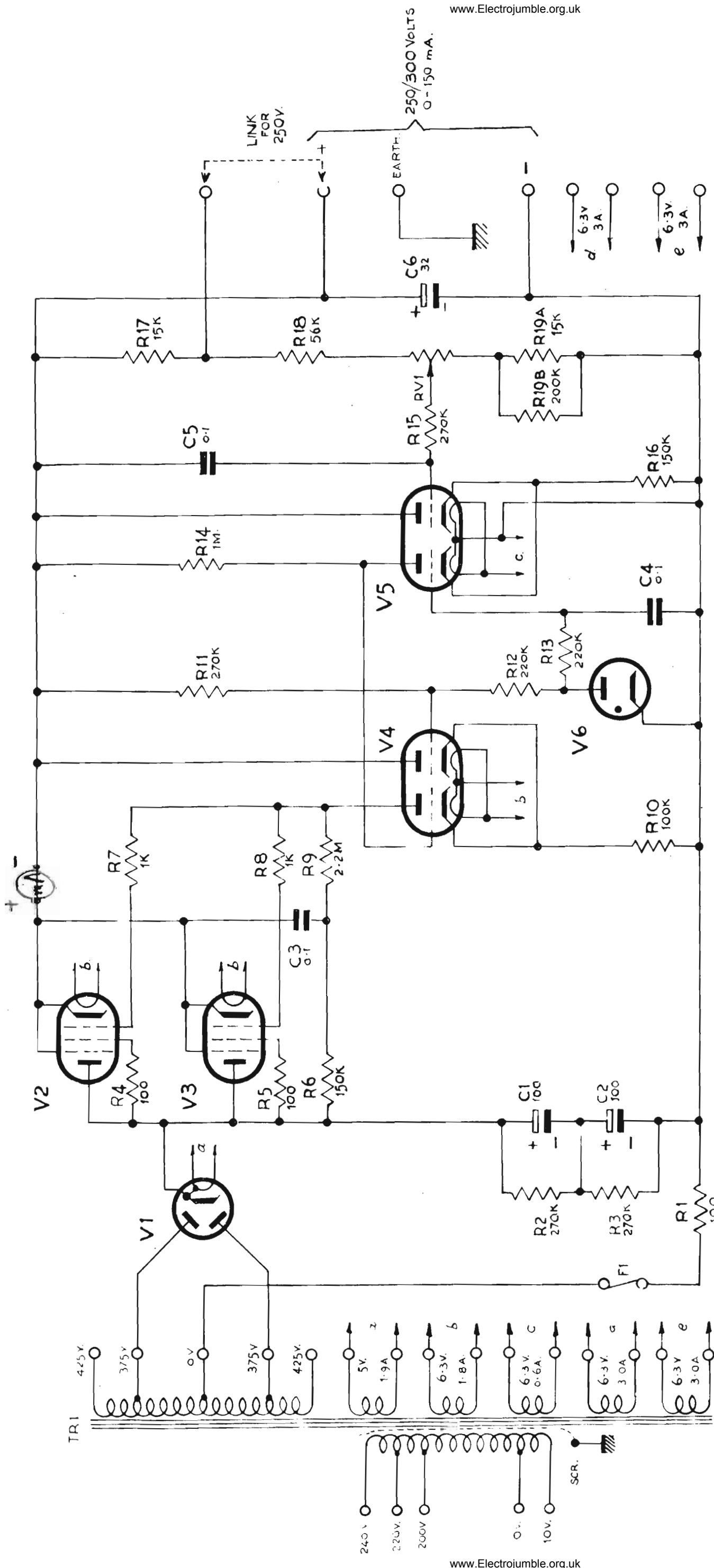
A.P.T. ELECTRONIC INDUSTRIES LTD.

TRACED

CHECKED.

TITLE - CIRCUIT DIAGRAM
STABILISED POWER UNIT
MODEL 4931 SERIAL N°48 ONWARDS

COMPONENT LIST FOR
CL9091
SHEET
1 OF 1



A.P.T ELECTRONIC INDUSTRIES LTD

DRAWING No.

B9091.

TITLE:- CIRCUIT DIAGRAM.

STABILISED POWER UNIT
MODEL 4931 SERIAL N°48 ONWARDS

CHKD.

TRCD.

DRN.

APPROVED

FINAL ISSUE